

# SLEEK ALUMINIUM PROFILES.

Smart, beautiful and durable.

**CATALOGUE  
(MRP LIST)**

1<sup>st</sup> Jan 2022  
Edition 1.1

**Sleek** by **op** asianpaints  
KITCHEN COMPONENTS



# MAKE HOMES LOOK MORE STYLISH.

Sleek brings you a range of beautiful multi-utility aluminium profiles which are corrosion resistant, easy to clean and are completely **Made In India**. They make your kitchen, wardrobe and other fitted furniture look elegant and charming.

# Why choose Aluminium Profiles from Sleek?



Shade Consistency\* for a uniform look with no colour fading#



NSS-500 hours tested for longer life & high corrosion resistance



Dimensional Consistency for uniform thickness



Hot/Cold sealing coat for smooth surface finish



100% virgin aluminium for a blister free surface



Standard profile length of 3 meters

\*Batch to batch & over minimum 2 years | #Refer to warranty T&C

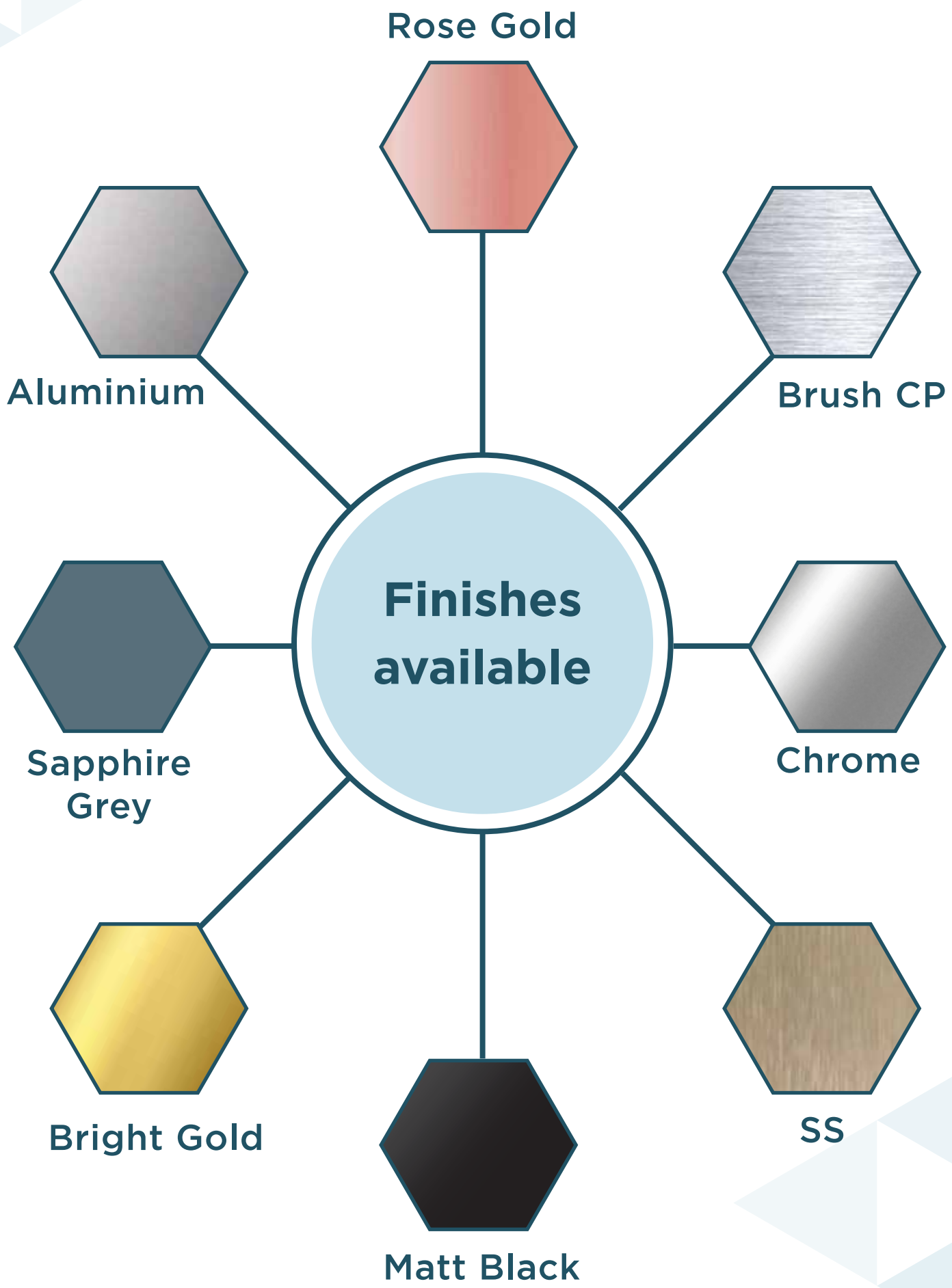


**MADE IN  
INDIA**



**2 YEARS  
WARRANTY#**

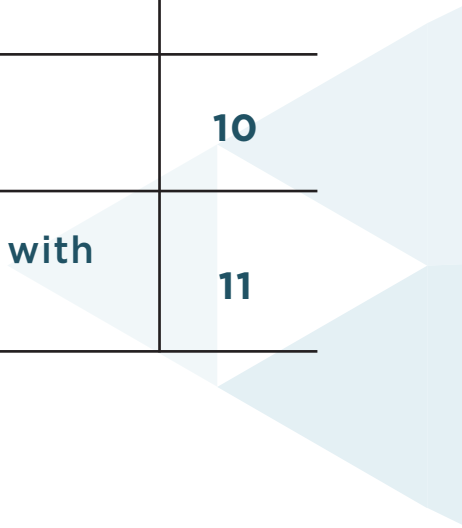
**Note:** Rusting/Corrosion resistance (as validated by the NSS and also because of base material being Virgin Aluminum). No shade variation due to exposure to sunlight (as validated by UV resistance test).



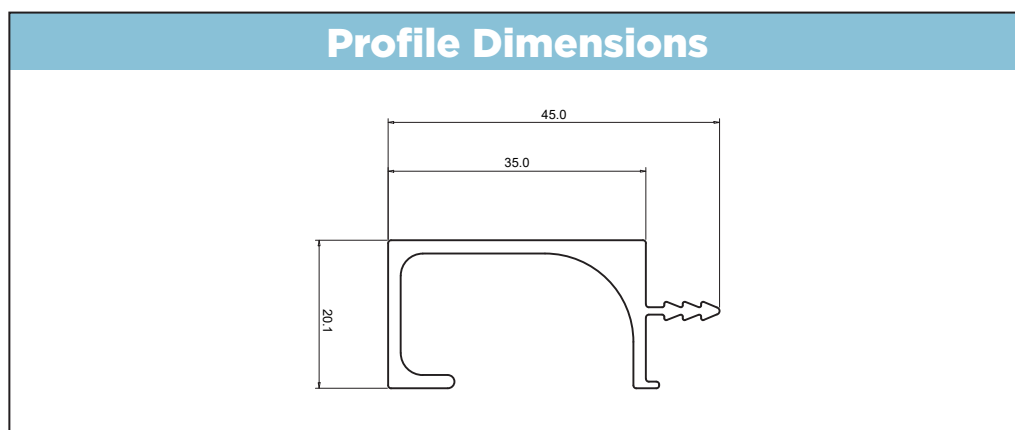


# Index

<b>Code</b>	<b>Name Of Profile</b>	<b>Page no.</b>
SL-AP10	Sleek Aluminium G Profile	1
SL-AP11	Sleek Aluminium J Profile	2
SL-AP12	Sleek Aluminium Pull Grip J Profile	3
SL-AP40	Sleek Aluminium 45mm Profile	5
SL-AP41	Sleek Aluminium 45mm Profile with G Handle	6
SL-AP42	Sleek Aluminium 45mm Profile with Handle	7
SL-AP20	Sleek Aluminium 20mm Profile	8
SL-AP21	Sleek Aluminium 20mm Profile with Handle	9
SL-AP30	Sleek Aluminium Crystal Profile	10
SL-AP31	Sleek Aluminium Crystal Profile with Handle	11



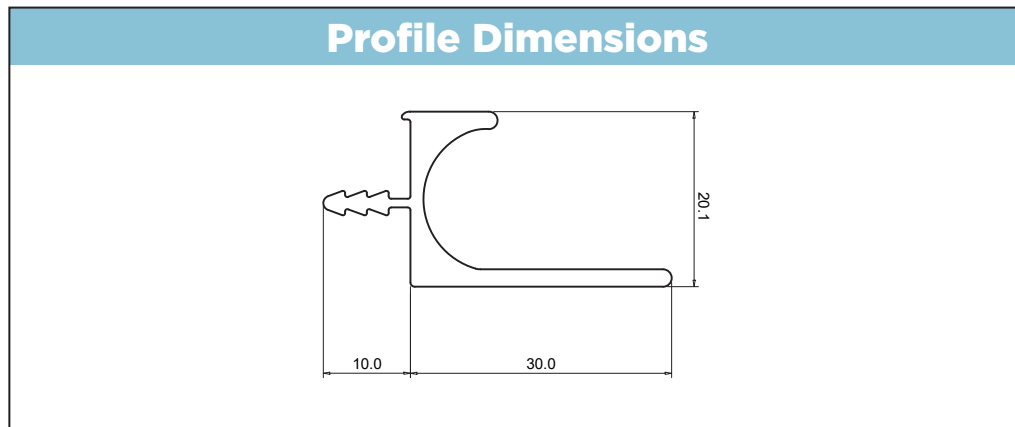
# G-TYPE PROFILE (SL-AP10)



## Profile Details

Identification Code	Product Code	Product Description	MRP (₹)
SL-AP10	HLAP10AL	Sleek AL Profile G type Aluminium Finish	1875
	HLAP10BR	Sleek AL Profile G type Brush CP Finish	2000
	HLAP10CH	Sleek AL Profile G type Chrome Finish	2700
	HLAP10MB	Sleek AL Profile G type Matt Black Finish	2700
	HLAP10RG	Sleek AL Profile G type Rose Gold Finish	2700
	HLAP10SS	Sleek AL Profile G type SS Finish	2700
	HLAP10SG	Sleek AL Profile G type Sapphire Grey Finish	2850
	HLAP10GB	Sleek AL Profile G type Gold Bright Finish	2850

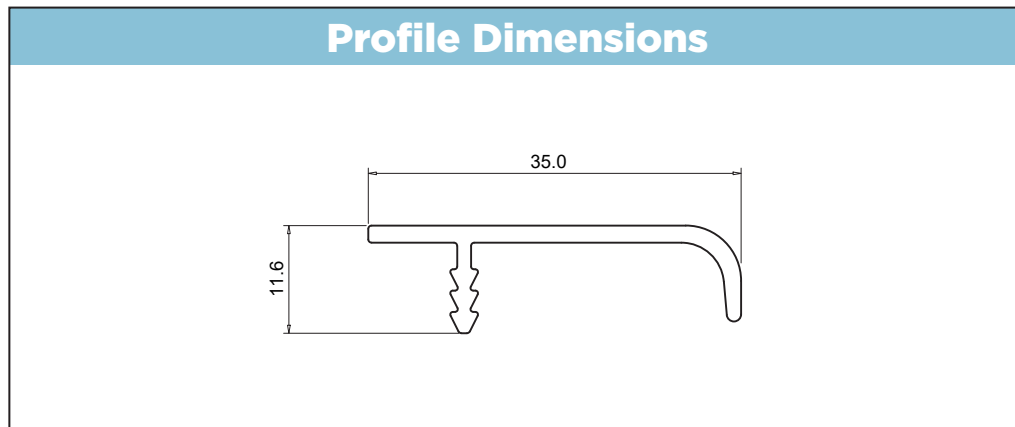
# J-TYPE PROFILE (SL-AP11)



## Profile Details

Identification Code	Product Code	Product Description	MRP (₹)
SL-AP11	HLAP11AL	Sleek AL Profile J type Aluminium Finish	2025
	HLAP11BR	Sleek AL Profile J type Brush CP Finish	2550
	HLAP11CH	Sleek AL Profile J type Chrome Finish	2850
	HLAP11MB	Sleek AL Profile J type Matt Black Finish	2850
	HLAP11RG	Sleek AL Profile J type Rose Gold Finish	2850
	HLAP11SS	Sleek AL Profile J type SS Finish	2850
	HLAP11SG	Sleek AL Profile J type Sapphire Grey Finish	3000
	HLAP11GB	Sleek AL Profile J type Gold Bright Finish	3000

# PULL GRIP J PROFILE (SL-AP12)

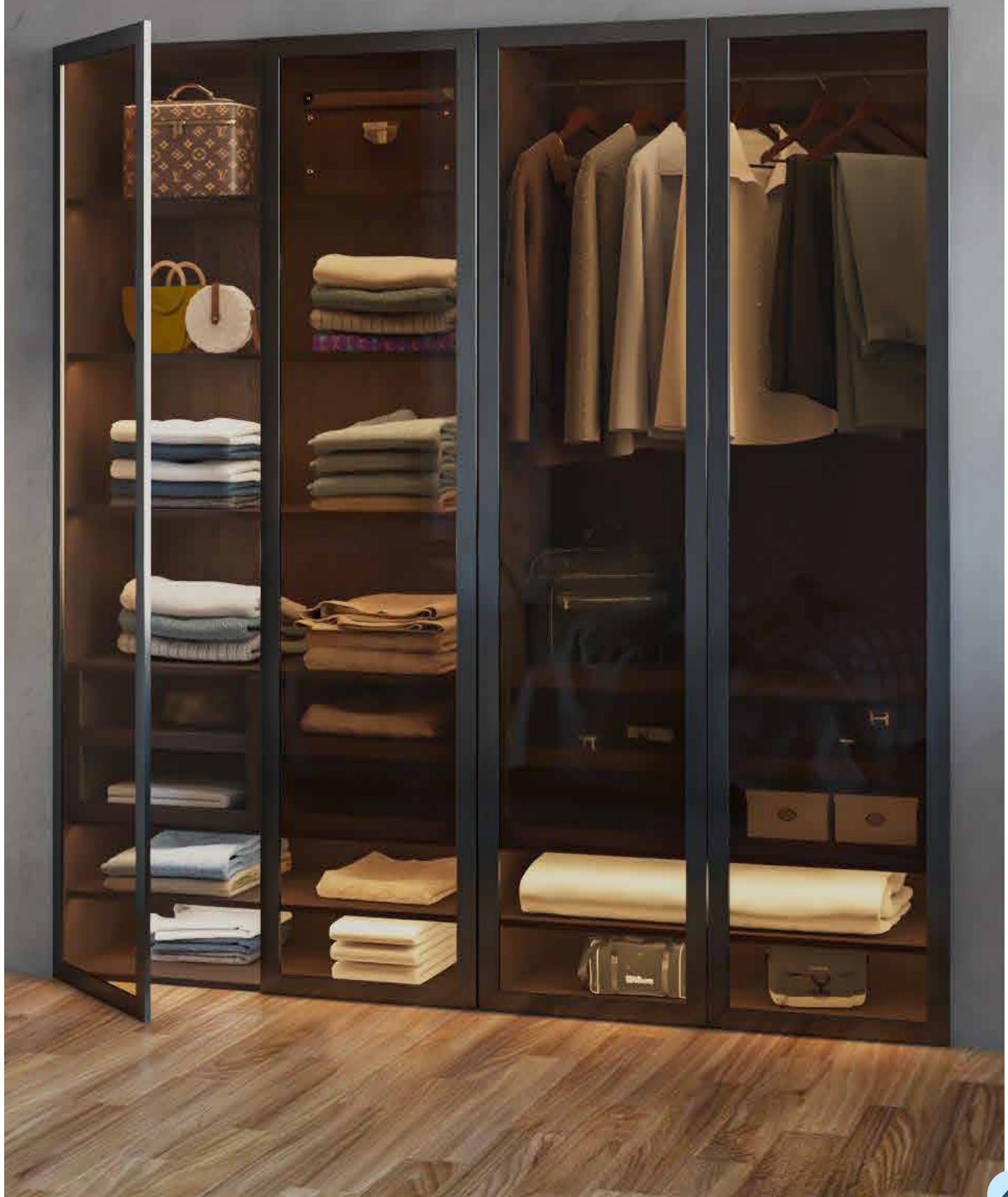


## Profile Details

Identification Code	Product Code	Product Description	MRP (₹)
SL-AP12	HLAP12AL	Sleek AL Pull Grip J Profile Aluminium Finish	1425
	HLAP12BR	Sleek AL Pull Grip J Profile Brush CP Finish	1800
	HLAP12CH	Sleek AL Pull Grip J Profile Chrome Finish	2100
	HLAP12MB	Sleek AL Pull Grip J Profile Matt Black Finish	2100
	HLAP12RG	Sleek AL Pull Grip J Profile Rose Gold Finish	2100
	HLAP12SS	Sleek AL Pull Grip J Profile SS Finish	2100
	HLAP12SG	Sleek AL Pull Grip J Profile Sapphire Grey Finish	2250
	HLAP12GB	Sleek AL Pull Grip J Profile Gold Bright Finish	2250

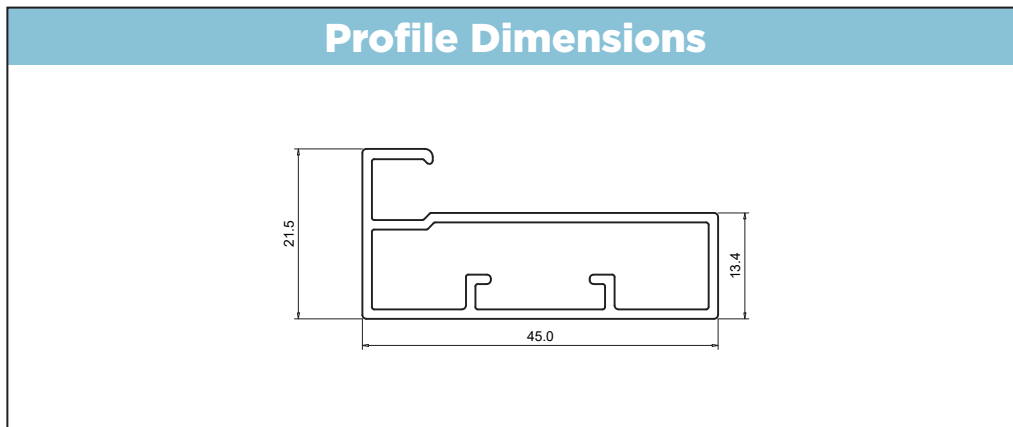
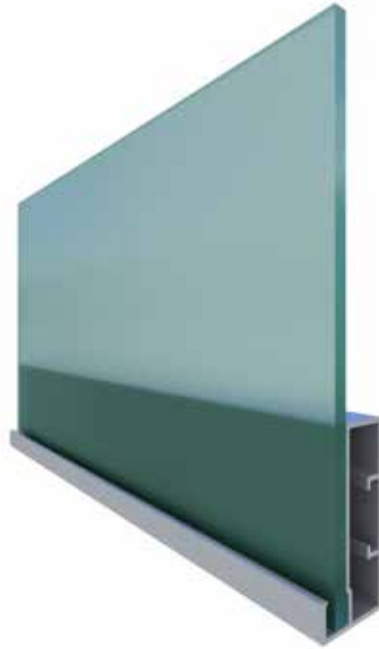


# — SHUTTER PROFILES —





# 45MM PROFILE (SL-AP40)

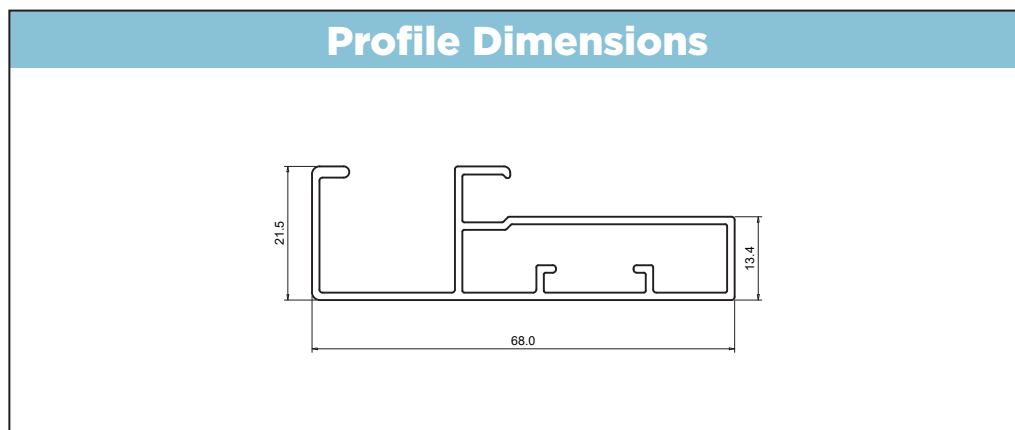
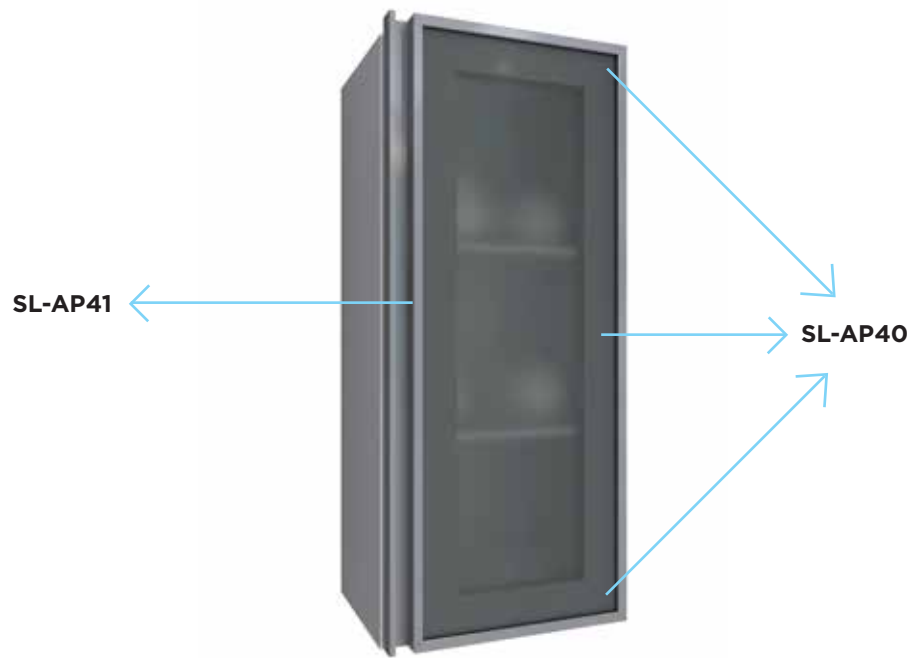


## Profile Details

Identification Code	Product Code	Product Description	MRP (₹)
SL-AP40	HLAP40AL	Sleek AL 45mm Profile Aluminium Finish	2175
	HLAP40BR	Sleek AL 45mm Profile Brush CP Finish	2775
	HLAP40CH	Sleek AL 45mm Profile Chrome Finish	3000
	HLAP40MB	Sleek AL 45mm Profile Matt Black Finish	3000
	HLAP40RG	Sleek AL 45mm Profile Rose Gold Finish	3000
	HLAP40SS	Sleek AL 45mm Profile SS Finish	3000
	HLAP40SG	Sleek AL 45mm Profile Sapphire Grey Finish	3150
	HLAP40GB	Sleek AL 45mm Profile Gold Bright Finish	3150



# 45MM PROFILE WITH G HANDLE (SL-AP41)

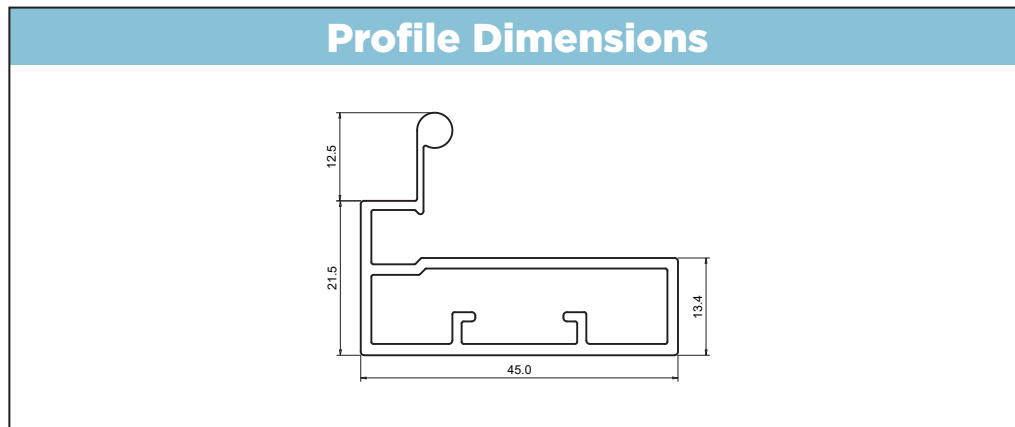
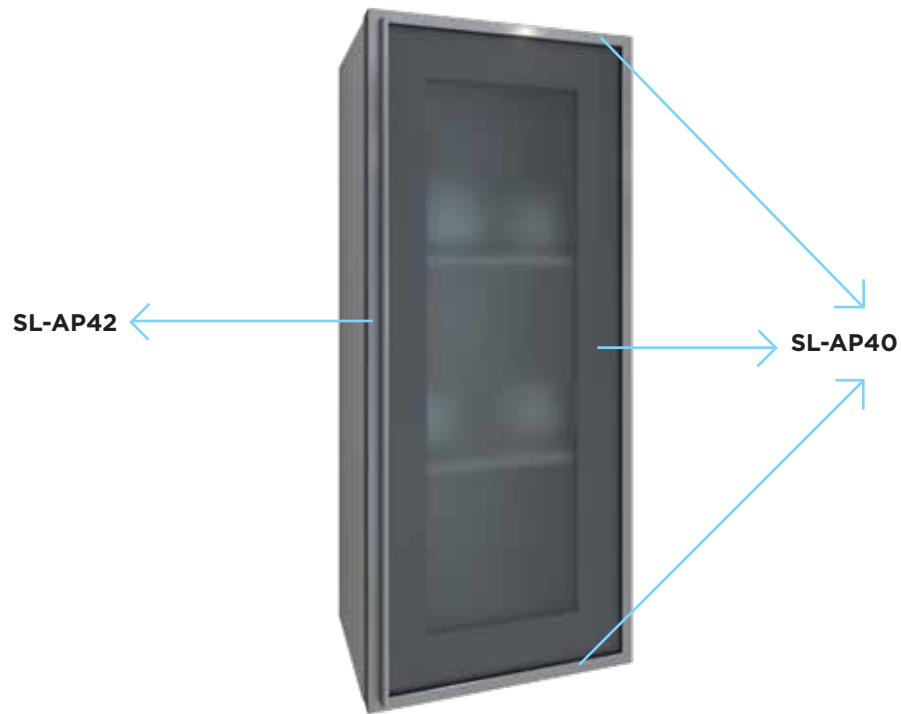


## Profile Details

Identification Code	Product Code	Product Description	MRP (₹)
<b>SL-AP41</b>	HLAP41AL	Sleek AL 45mm Profile with G Handle Aluminium Finish	2850
	HLAP41BR	Sleek AL 45mm Profile with G Handle Brush CP Finish	3600
	HLAP41CH	Sleek AL 45mm Profile with G Handle Chrome Finish	3750
	HLAP41MB	Sleek AL 45mm Profile with G Handle Matt Black Finish	3750
	HLAP41RG	Sleek AL 45mm Profile with G Handle Rose Gold Finish	3750
	HLAP41SS	Sleek AL 45mm Profile with G Handle SS Finish	3750
	HLAP41SG	Sleek AL 45mm Profile with G Handle Sapphire Grey Finish	3900
	HLAP41GB	Sleek AL 45mm Profile with G Handle Gold Bright Finish	3900

Note:- 3 sides of shutter will be covered by **SL-AP40** & one side can be used as **SL-AP41 Handle**.

# 45MM PROFILE WITH HANDLE (SL-AP42)

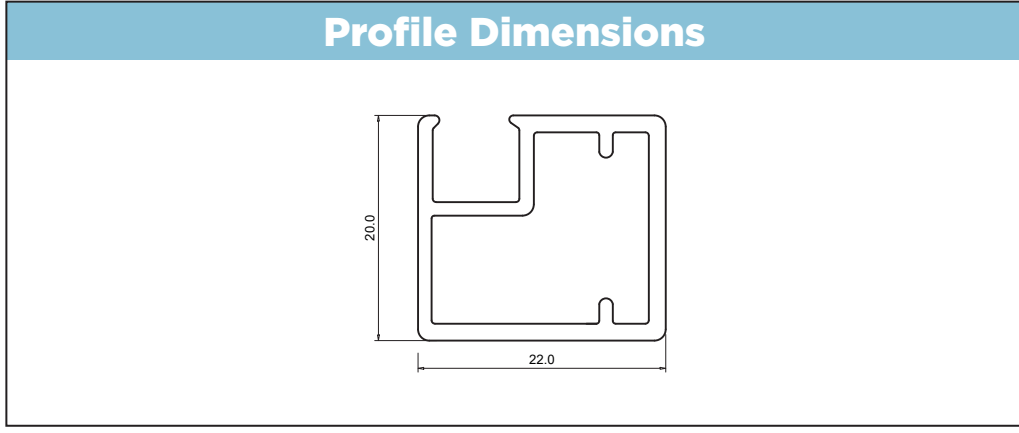
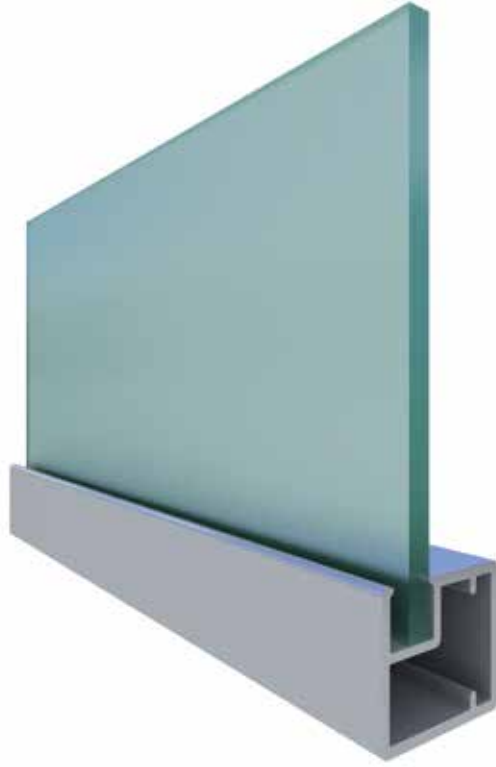


## Profile Details

Identification Code	Product Code	Product Description	MRP (₹)
<b>SL-AP42</b>	HLAP42AL	Sleek AL 45mm Profile with Handle Aluminium Finish	2475
	HLAP42BR	Sleek AL 45mm Profile with Handle Brush CP Finish	3075
	HLAP42CH	Sleek AL 45mm Profile with Handle Chrome Finish	3300
	HLAP42MB	Sleek AL 45mm Profile with Handle Matt Black Finish	3300
	HLAP42RG	Sleek AL 45mm Profile with Handle Rose Gold Finish	3300
	HLAP42SS	Sleek AL 45mm Profile with Handle SS Finish	3300
	HLAP42SG	Sleek AL 45mm Profile with Handle Sapphire Grey Finish	3600
	HLAP42GB	Sleek AL 45mm Profile with Handle Gold Bright Finish	3600

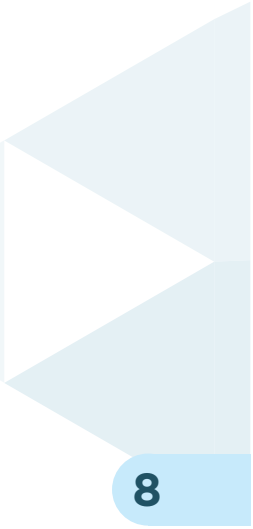


# 20MM PROFILE (SL-AP20)

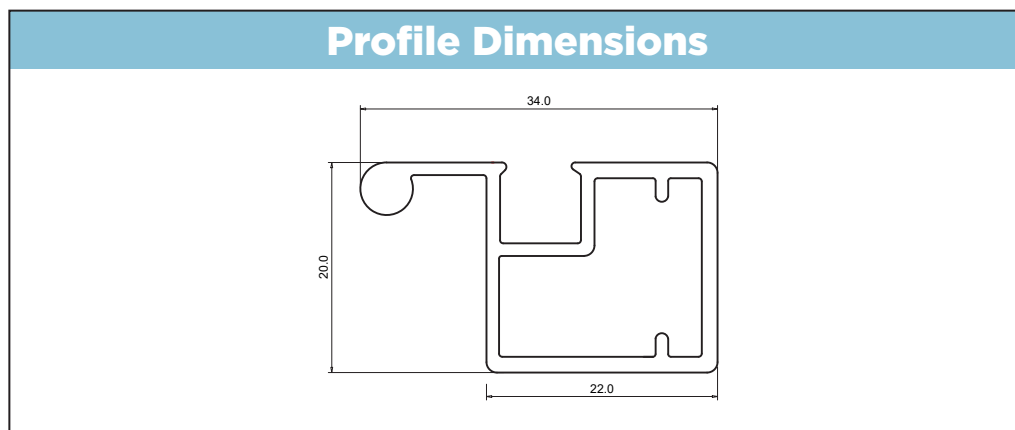
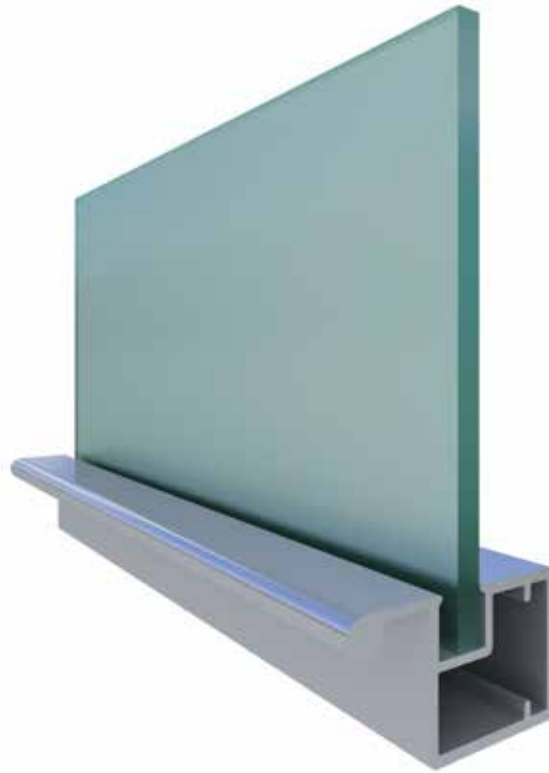


## Profile Details

Identification Code	Product Code	Product Description	MRP (₹)
SL-AP20	HLAP20AL	Sleek AL 20mm Profile Aluminium Finish	1800
	HLAP20BR	Sleek AL 20mm Profile Brush CP Finish	1950
	HLAP20MB	Sleek AL 20mm Profile Matt Black Finish	2250
	HLAP20RG	Sleek AL 20mm Profile Rose Gold Finish	2250
	HLAP20SS	Sleek AL 20mm Profile SS Finish	2250



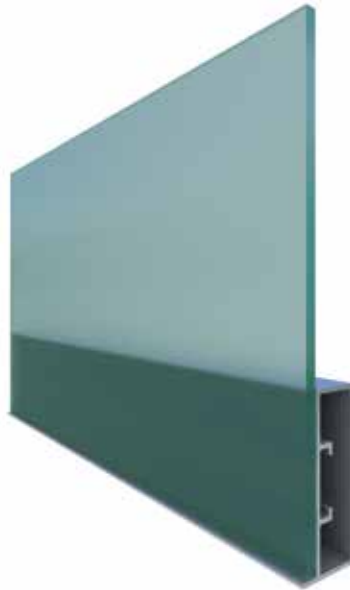
# 20MM PROFILE WITH HANDLE (SL-AP21)



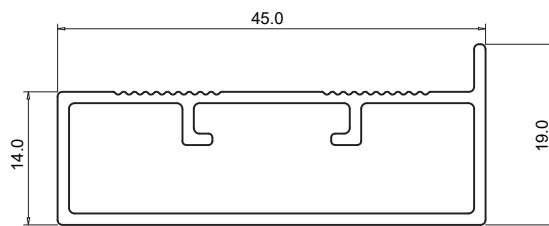
## Profile Details

Identification Code	Product Code	Product Description	MRP (₹)
SL-AP21	HLAP21AL	Sleek AL 20mm Profile with Handle Aluminium Finish	2100
	HLAP21BR	Sleek AL 20mm Profile with Handle Brush CP Finish	2475
	HLAP21MB	Sleek AL 20mm Profile with Handle Matt Black Finish	2625
	HLAP21RG	Sleek AL 20mm Profile with Handle Rose Gold Finish	2625
	HLAP21SS	Sleek AL 20mm Profile with Handle SS Finish	2625

# CRYSTAL PROFILE (SL-AP30)



## Profile Dimensions



## Key Highlights



Can be used with 4mm thick glass

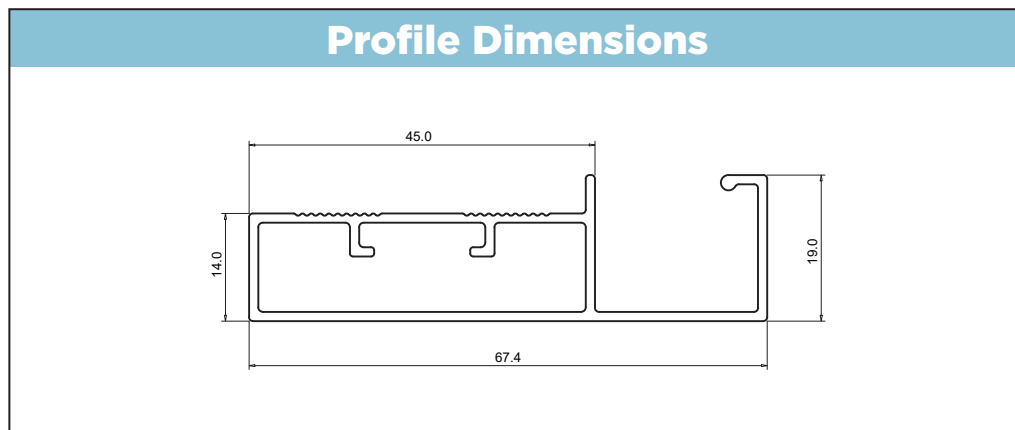
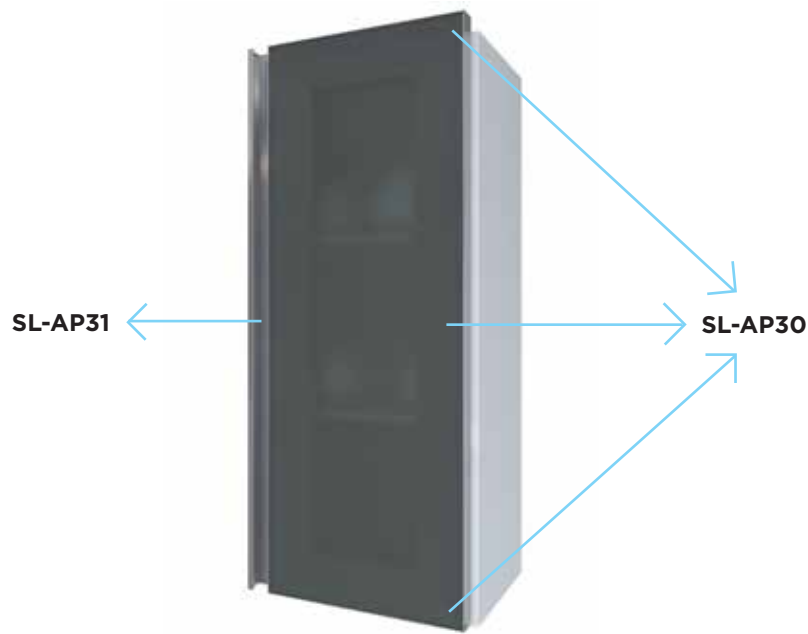


No visible screws

## Profile Details

Identification Code	Product Code	Product Description	MRP (₹)
SL-AP30	HLAP30AL	Sleek AL Crystal Profile Aluminium Finish	2325
	HLAP30CH	Sleek AL Crystal Profile Chrome Finish	3000
	HLAP30MB	Sleek AL Crystal Profile Matt Black Finish	3000
	HLAP30RG	Sleek AL Crystal Profile Rose Gold Finish	3000
	HLAP30SS	Sleek AL Crystal Profile SS Finish	3000

# CRYSTAL PROFILE WITH HANDLE (SL-AP31)



## Key Highlights



Can be used with 4mm thick glass



No visible screws

## Profile Details

Identification Code	Product Code	Product Description	MRP (₹)
SL-AP31	HLAP31AL	Sleek AL Crystal Profile with Handle Aluminium Finish	2925
	HLAP31CH	Sleek AL Crystal Profile with Handle Chrome Finish	3750
	HLAP31MB	Sleek AL Crystal Profile with Handle Matt Black Finish	3750
	HLAP31RG	Sleek AL Crystal Profile with Handle Rose Gold Finish	3750
	HLAP31SS	Sleek AL Crystal Profile with Handle SS Finish	3750



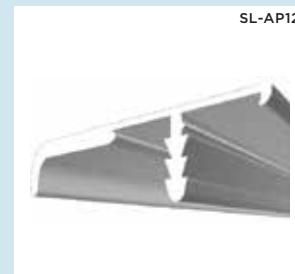
# PROFILES AT A GLANCE



Sleek Aluminium G Profile



Sleek Aluminium J Profile



Sleek Aluminium Pull Grip J Profile



Sleek Aluminium 45mm Profile



Sleek Aluminium 45mm Profile with G Handle



Sleek Aluminium 45mm Profile with Handle



Sleek Aluminium 20mm Profile



Sleek Aluminium 20mm Profile with Handle



Sleek Aluminium Crystal Profile



Sleek Aluminium Crystal Profile with Handle

## #Warranty Terms and Conditions:

1. This warranty is applicable only if customer shows proof of purchase.
2. This warranty will cover only manufacturing defects and will not cover any defects arising out of factors out of control of the company as indicated below:
  - a. Damage resulting from normal wear and tear, scratches, dent etc. developed over time due to usage.
  - b. Surface damages and colour fading due to improper cleaning practices including but not limited to the use of bleach, alkali, acid cleaners, dry (powder) cleaners or any other abrasive cleaners.
  - c. Damage due to exposure to acids, chemicals or improper maintenance and failure to clean which may lead to issues like scaling & gloss reduction.
  - d. Use of excessive force or damage resulting from use of sharp objects like tools.

**Maintenance Tip: Clean using only water with soft cloth/sponge**



Toll-free number  
1800-2120-500

**SLEEK INTERNATIONAL PVT. LTD.**

[enquiry@sleekworld.com](mailto:enquiry@sleekworld.com) | [www.sleekworld.com](http://www.sleekworld.com)

Copyrights reserved. Sleek International Pvt. Ltd. 2014

"All the information and contents on the booklet/website/brochure/catalogue are owned and exclusive property of Sleek International Pvt. Ltd. and protected under the Copyrights Act, 1957 and the Copyright Laws of all other countries worldwide under the Berne Convention. All rights are reserved and no part of this booklet/website/brochure/catalogue shall be reproduced, stored in a retrieval system or transmitted in any form or by any means - electronic, magnetic tape, mechanical, printing, photocopying, recording or otherwise including the right of translating in any language without the prior written consent of Sleek International Pvt. Ltd."